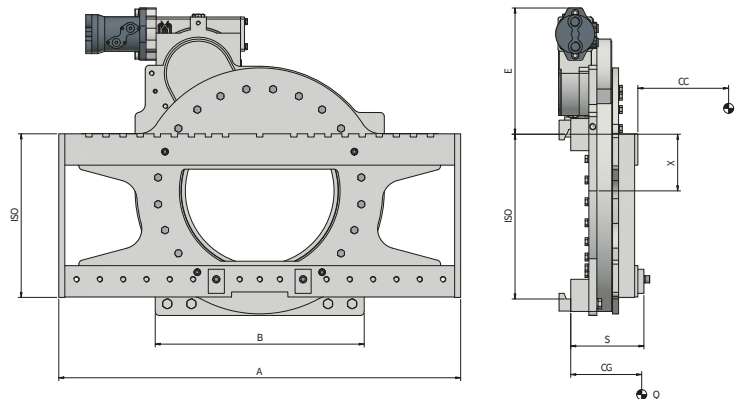


301 360° Rotator



HYDRAULIC FUNCTIONS: 1 | MAX WORKING PRESSURE: 175 Bar

Features:

- Continuous rotation of 360° in both directions.
- Recommended use of forks with reinforced lower hooks.

Special Equipment:

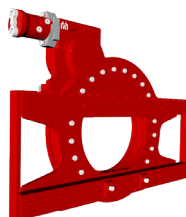
- Special widths and/or strokes.
- Forks.
- Load Backrest.
- Pin-Type Forks.
- Special versions for Agriculture, Fish Industry and Foundries.

| ART. N° | P (Kg) | CC (mm) | ISO 2328 | A (mm) | E (mm) | B (mm) | X (mm) | V (Litres/spin) | Nm P (100 Bar) | S (mm) | CG (mm) | Q (Kg) |
|-------------|--------|---------|----------|--------|--------|--------|--------|-----------------|----------------|--------|---------|--------|
| 23EC42C0002 | 1600 | 500 | II | 1000 | 314 | 580 | 141 | 8.1 | 6700 | 167 | 78 | 184 |
| 23EE82C0002 | 2200 | 500 | II | 1100 | 314 | 580 | 141 | 8.1 | 6700 | 167 | 79 | 187 |
| 23EH23C0002 | 3000 | 500 | III | 1150 | 335,5 | 750 | 185 | 8.8 | 7400 | 177 | 80 | 310 |
| 23EHS3C0002 | 3400 | 500 | III | 1270 | 335,5 | 750 | 185 | 8.8 | 12300 | 177 | 81 | 320 |
| 23EK63C0024 | 4200 | 500 | III | 1400 | 335,5 | 750 | 185 | 8.8 | 12300 | 177 | 83 | 330 |
| 23EL83C0002 | 4800 | 500 | III | 1660 | 335,5 | 750 | 185 | 8.8 | 12300 | 177 | 86 | 340 |
| 23EKR4C0001 | 4500 | 600 | IV | 1350 | 305,5 | 1060 | 235 | 12 | 13000 | 203 | 93 | 576 |
| 23ELM4C0001 | 5000 | 600 | IV | 1600 | 305,5 | 1060 | 235 | 12 | 13000 | 203 | 95 | 600 |
| 23END4C0001 | 5500 | 600 | IV | 1800 | 305,5 | 1060 | 235 | 14 | 14100 | 203 | 92 | 670 |
| 23EQ54C0001 | 7000 | 600 | IV* | 2000 | 287 | 1050 | 262 | 18 | 16200 | 231 | 112 | 838 |
| 23ER04C0002 | 8000 | 600 | IV* | 2000 | 287 | 1050 | 262 | 22 | 24200 | 231 | 112 | 838 |
| 23ERQ5C0001 | 10000 | 600 | V | 2000 | 360 | 1630 | 224 | 26 | 29500 | 256 | 132 | 1450 |

OIL FLOW RATE

| ISO | (L/min) |
|-----|---------|
| | ↻ |
| II | 25 |
| III | 25 |
| IV | 30/35* |
| V | 35 |

↻ Rotation



P ATTACHMENT CAPACITY
CC LOAD CENTRE OF GRAVITY
A CARRIAGE WIDTH
E HEIGHT
B MINIMUM FORK CARRIAGE
X ROTATION CENTRE
V OIL VOLUME
Nm P TORQUE
S THICKNESS
CG CENTRE OF GRAVITY
Q WEIGHT

Please refer to our catalogue for further Special Equipment