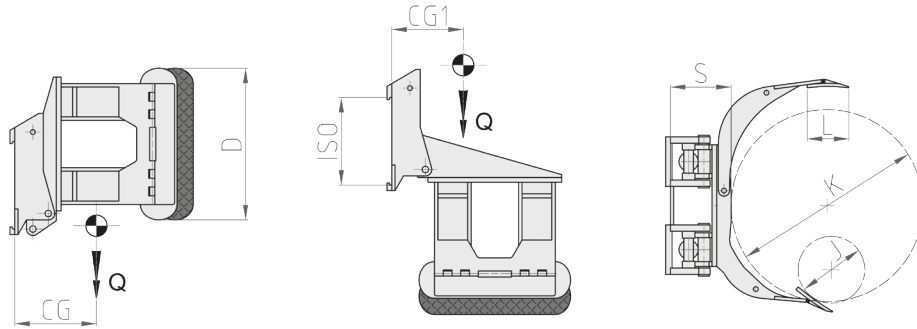


343 SF Roll Clamp with 90° forward tipping and short fixed arm



HYDRAULIC FUNCTIONS: 2 | MAX WORKING PRESSURE: 175 Bar

Features:

- Short fixed arm and long entire arm.
- 90° frontal tipping to take rolls lying perpendicularly to the Forklift.

Special Equipment:

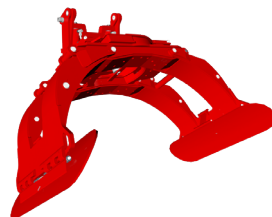
- Custom made capacities/openings.
- Custom made Contact Pads.
- Rotating or Fixed Clamp with parallel arms with reduced dimensions for container loading/unloading operations.

ART. N°	P (Kg)	ISO 2328	J (mm)	K (mm)	DxL (mm)	S (mm)	CG (mm)	CG1 (mm)	Q (Kg)
21K002G2C0001	900	II	350	1100	700x200	235	215	320	510
21K002G2C0002	900	II	350	1400	700x200	235	220	340	560
21K002Q2C0001	1300	II	400	1150	750x250	235	235	360	590
21K002Q2C0002	1300	II	400	1300	750x250	235	240	370	615
21K00342C0001	2000	II	400	1300	850x250	250	250	400	730
21K00343C0001	2000	III	400	1300	850x250	265	250	400	800
21K00343C0002	2000	III	400	1600	850x250	265	255	420	850
21K003G3C0001	2600	III	550	1300	900x250	300	260	430	990
21K003G3C0002	2600	III	750	1600	900x250	300	270	460	1040
21K003Q3C0001	3000	III	400	1300	1015x300	310	275	455	1070
21K003W4C0001	3600	IV	750	1800	1050x300	320	280	505	1495

OIL FLOW RATE

ISO	(L/min)	
	⚙️	🔄
II	25	20
III	30	20
IV	35	25

⚙️ Clamping
🔄 Tipping



P ATTACHMENT CAPACITY
J/K ROLLS DIAMETER
DxL CONTACT PADS
S THICKNESS
CG CENTRE OF GRAVITY
CG1 CENTRE OF GRAVITY
Q WEIGHT

Please refer to our catalogue for further Special Equipment